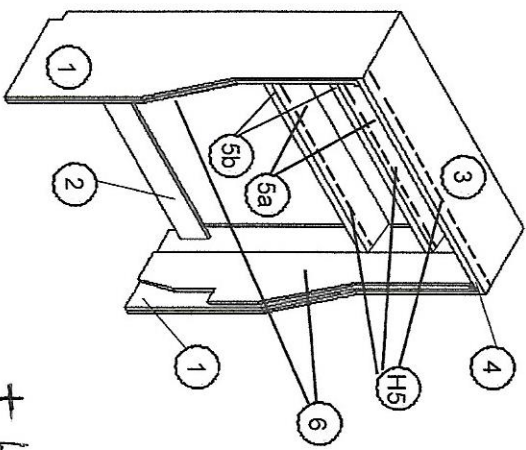
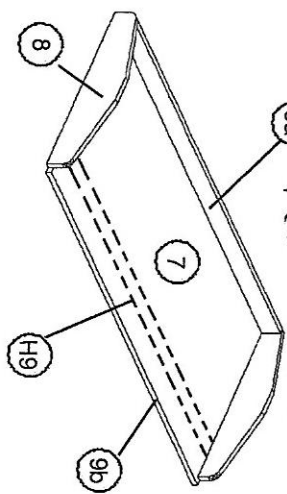


MAIN PARTS & CARPENTRY LIST

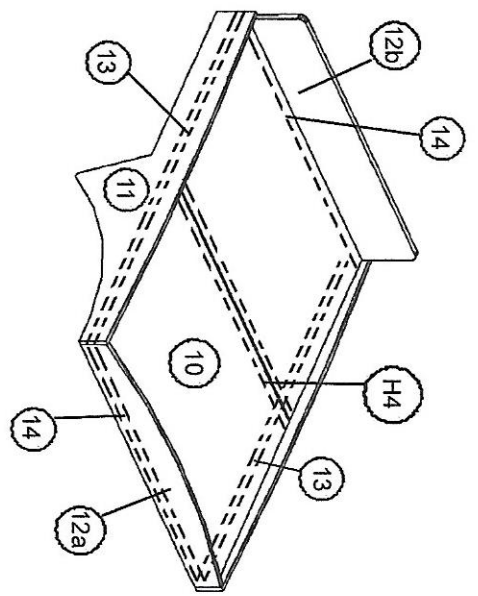


Component List	
Description	Qty.
7 Desk Top	1
8 Desk Side (Left and Right)	1+1
9a Desk Back	1
9b Desk Stretcher	1
H9 Structural Tube (metal)	1

+ Lower back board shelves in fills
+ corner shelves



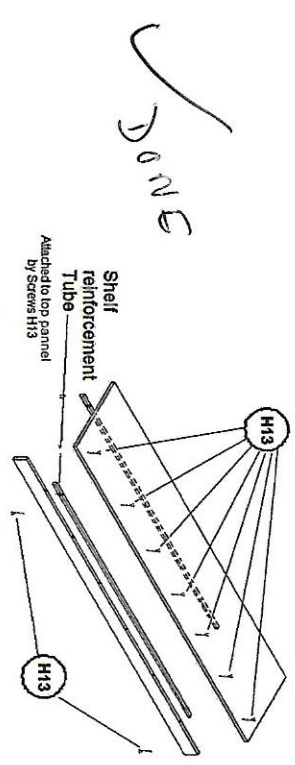
Component List	
Description	Qty.
1 Side Panel (Left and Right)	1+1
2 Bottom Stretcher	1
3 Top Panel	1
4 Top Stretchers	1
H5 Structural tube (metal)	3
5a Shelves	2
5b Shelves Stretcher	2
6 Concealer	1



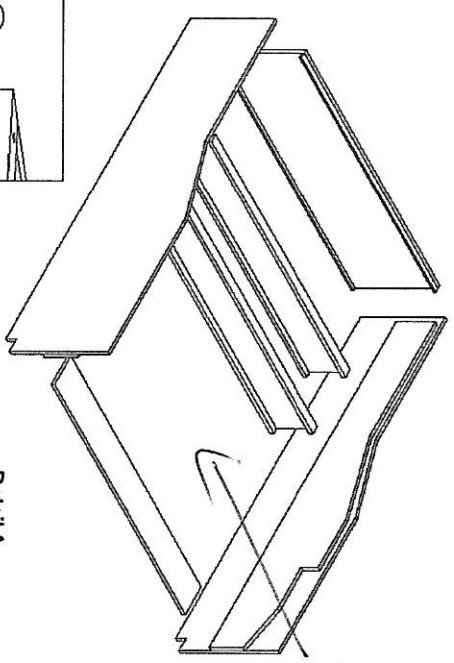
Component List	
Description	Qty.
10 Mid Bed Cover	2
11 Bed Head Left and Right	1+1
12a Front Rail	1
12b Rear Rail	1
13 Side Cleats	4
14 Front and Rear cleats	2
H4 Structural Tube (Bed cover)	1

BODY ASSEMBLY

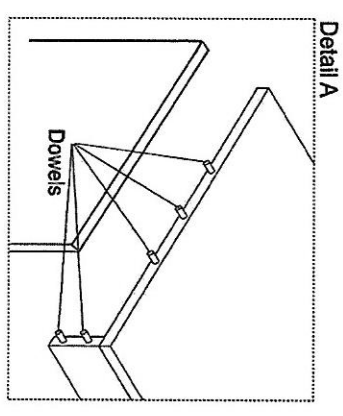
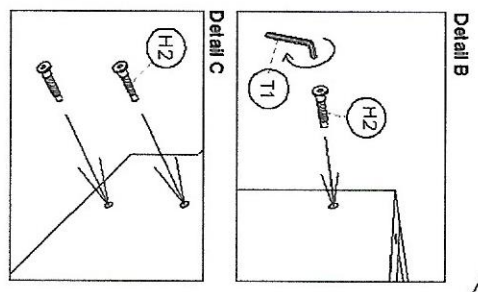
STEP 1
Attach Top Stretchers (4) to Top Pannel (3) using dowels and screws.
Attach Structural Tube H5 to Top Pannel using Screws H13

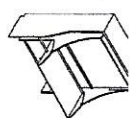
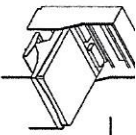


STEP 2
Attach Body Sides to Bottom Stretcher (2) and Top Stretcher (3) fixed using dowels and screws H2 (Key T1).



Attach lower back board + corner shelves

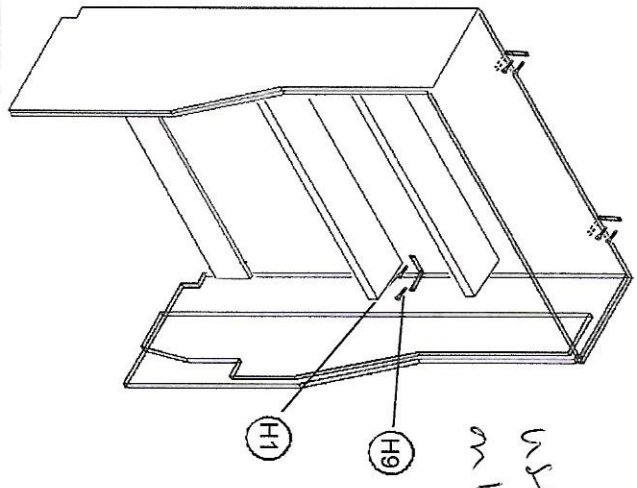




DESK ASSEMBLY

STEP 3

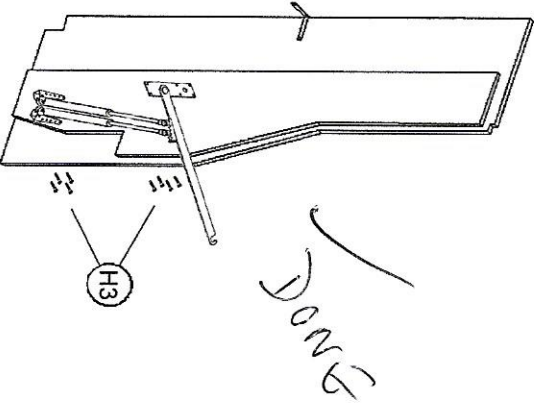
Fix the whole body with brackets to the wall with screw H4 to the wall and screw H9 to the furniture.



use supplied brackets on back + side of shelves

STEP 4

Attach Mechanism to the walled body.



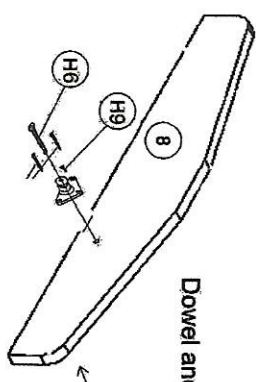
DONE

! THE WIDE PART OF TRI BEARER (M6) MUST REST ON THE FACE OF DESK SIDE (8), OPPOSITE TO FACE WHERE D-NUT IS INSTALLED.

STEP 1

DONE

Take one Desk Side at a time, look for the face where D-nut is and fit in the dowel. At the OPPOSITE face, rest Tri Bearer by its wide part and attach with screws (H2). Tighten firmly with key T1.



Dowel and D-NUT ON THIS SIDE !

STEP 2

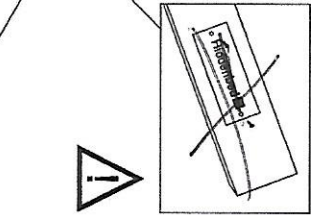
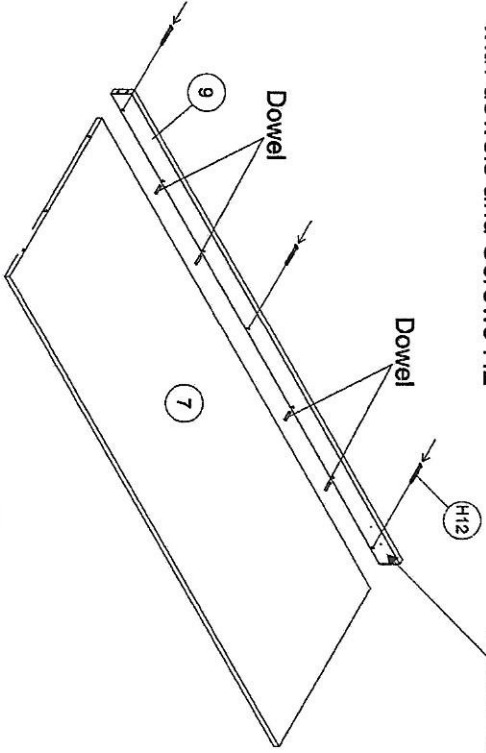
DONE

Attach ~~Widener~~ ~~Panel~~ ~~Bracket~~ ~~Plate~~ (A10) to Desk Back (9) with Screws.

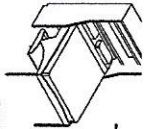
STEP 3

DONE

Attach Desk Back (9) to Desk Top (7) with dowels and Screws H2



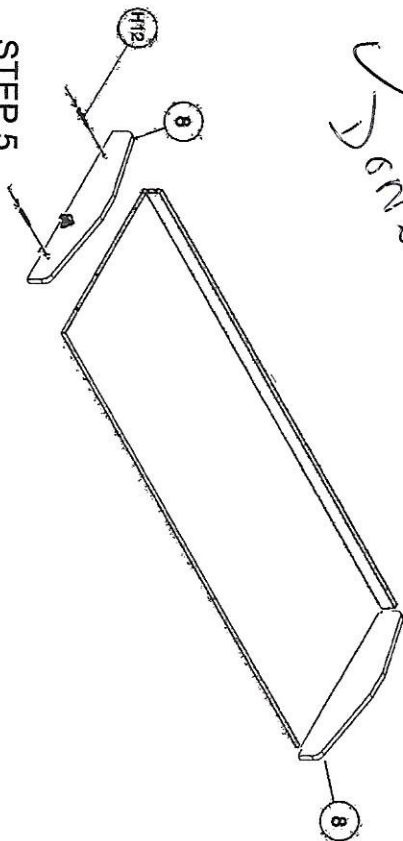
! ~~Place~~ ~~Tri~~ ~~Bearer~~ ~~mechanism~~ ~~correctly~~ ~~in~~ ~~the~~ ~~desk~~ ~~top~~ ~~with~~ ~~the~~ ~~key~~ ~~T1~~.



STEP 4

Attach Desk Sides (8) to Desk Top fixed to Desk Back using Screws H2, do not tighten until next step. Left and right, select Tribearer pointing out.

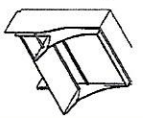
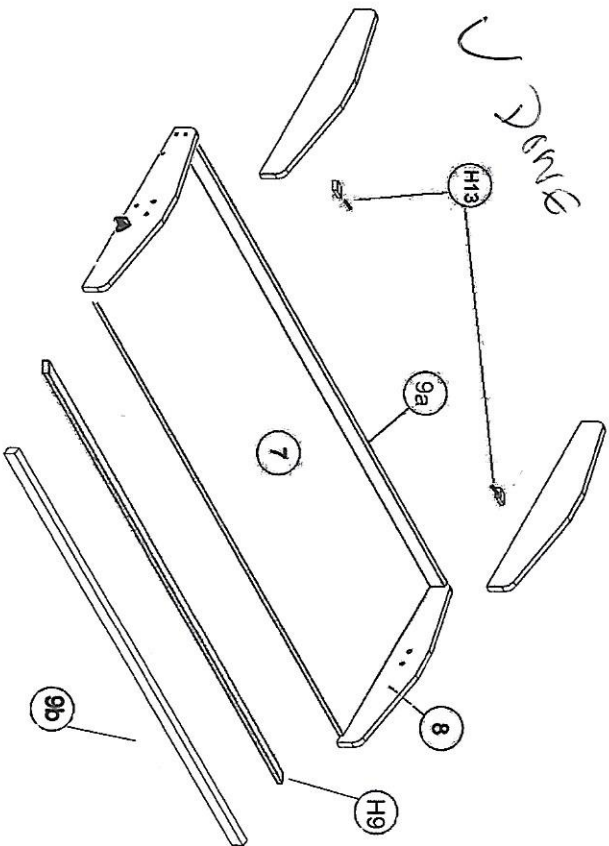
Done



STEP 5

Screw Short Cleats to inner side of Desk Sides. Then insert the Structural Tube H9 to these and assemble the desk. Then attach Desk Stretcher

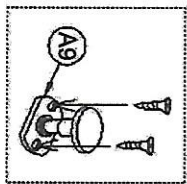
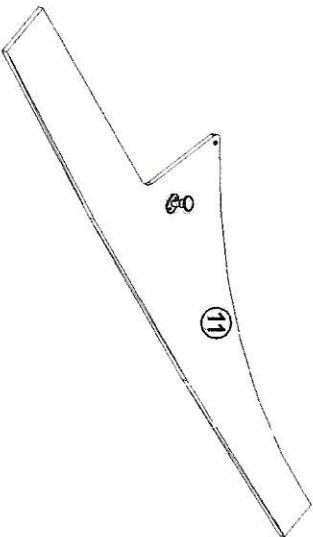
Done



BED ASSEMBLY

STEP 1

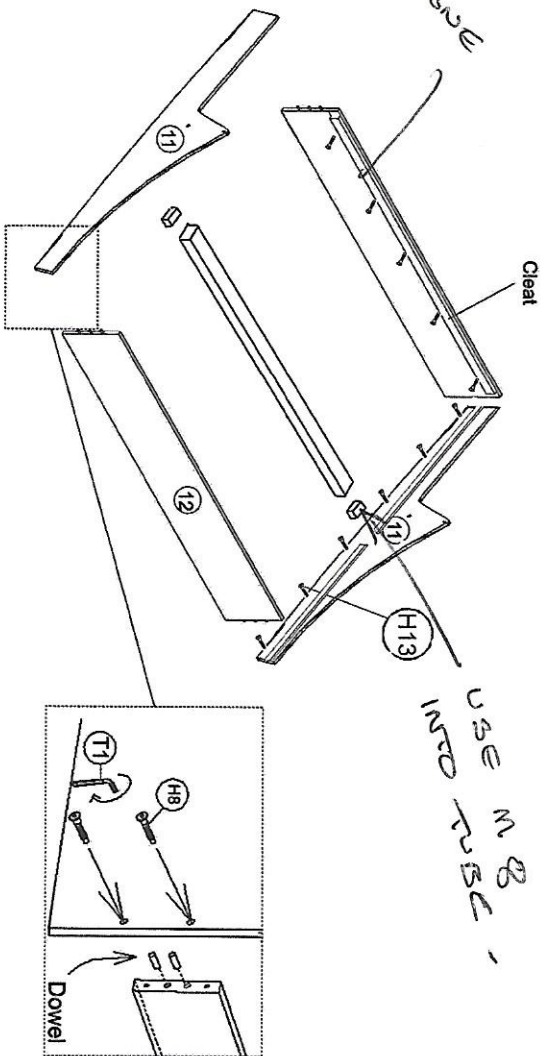
Insert the Locks (A9) in due perforations in the Side Rails Head (11) and put screws with screwdriver.

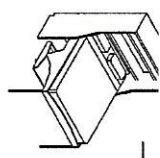


STEP 2

Attach Front Rail (12a) to Side Rails (11) with dowels and screws (H2). Then attach metal tube and then Rail Be careful, put Cleats inside. (Down in sketch position!!) Leave the bed without the bed cover.

Done

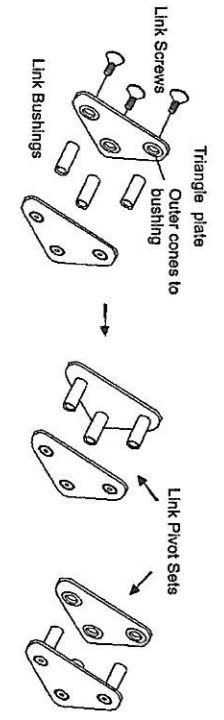




FINAL ASSEMBLY

STEP 1

Assemble two Links Pivot Sets attaching three Link Bushings to one triangle plate (outer cones to bushing) using Link Screws.



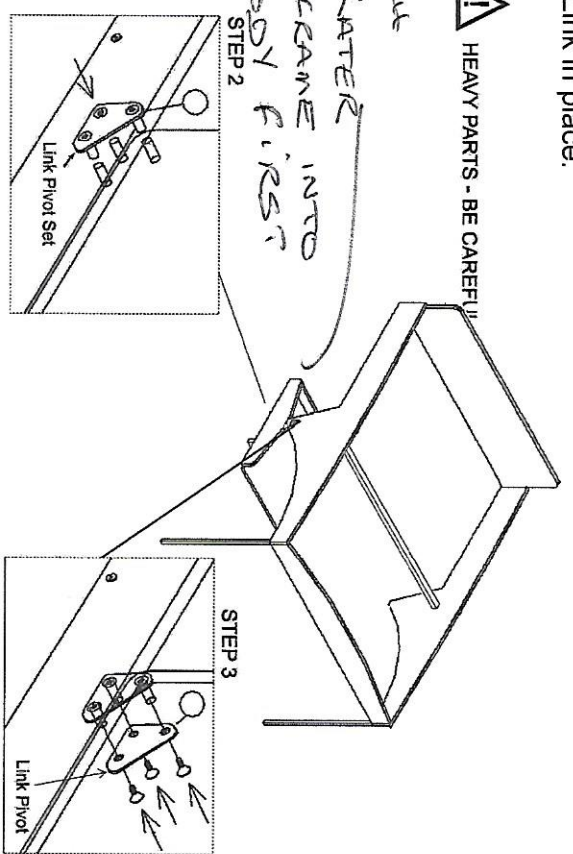
STEP 2

Put bed heads bearing on desk sides carefully, aligning holes (see detail in sketch STEP2) provided for Link bushings. In both sides in turn, place from outside the Link Pivot Set into link holes as shown, slightly displacing or rising the bed as required to push the Link in place.



HEAVY PARTS - BE CAREFUL

*ATTACH
DESK MATTER
FIX BED FRAME INTO
MAIN BODY FIRST*



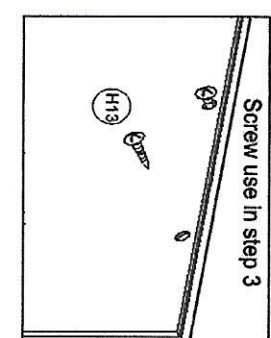
STEP 3

Fix the remaining Triangle plates (A7) with Link Screws to Link Pivot. Tighten screws, re-check tightening all screws.

STEP 4

Attach Mid Body Cover to Cleats of the Bed with screw H13.

STEP 4:

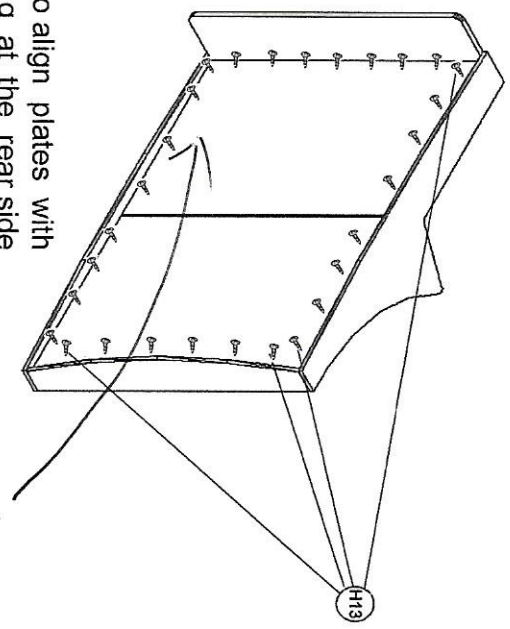
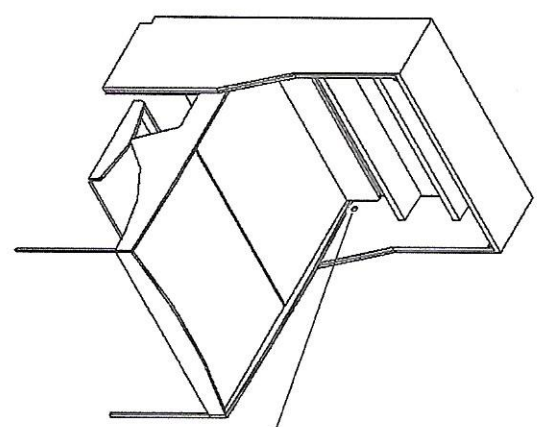


STEP 5

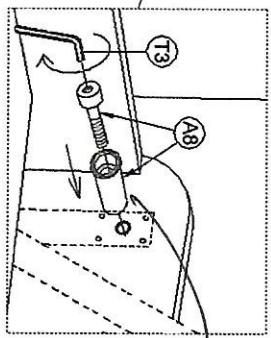
Slide Body carefully in order to align plates with bed head holes. Then standing at the rear side of Body, introduce Trunion Bushing(A8) with screw. Screw in a few turns, and let loose. Repeat at the other side. Tighten screws (A8) strongly.



Avoid scratching Bed Head (7) and Desk side with Mech Arm (A1)



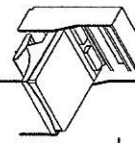
*leave top
cover off
until bed
frame connected
to body*



Tighten strongly

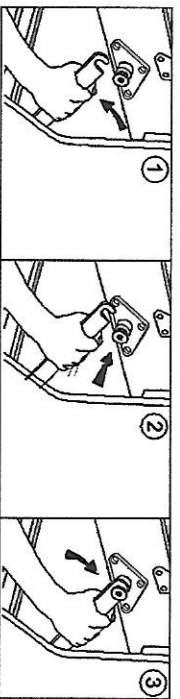
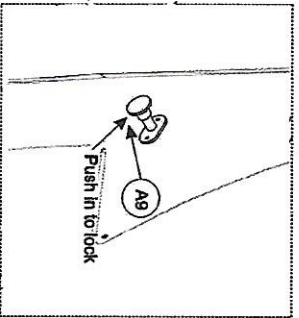
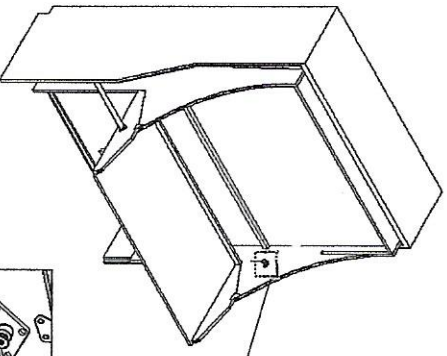
*USE LAST
BUSH AND
GREASE*





STEP 6

Lift the bed slowly, taking care of keeping the desk in horizontal position. Once in upper position, lock the bed by pushing in the Lock at both sides.



Firmly pull Mech Arm downwards.
equivalent to 20 kgs must be applied
Be careful not to trap fingers.

Firmly move Mech Arm looking for slot of Tri-bearer!

Slowly release Mech Arm Upwards to engage the Tri-bearer slotting

ASSEMBLY HAS FINISHED !

For Normal Use:

- Check that the floor is clear to lower the bed
- Unlock to change from desk to bed position
- Stand at the middle of the furniture to pull from bed beam and push down desk to make the transformation.
- The mechanism is already calibrated to work with the mattress on and a weight similar to 35/40 lbs. on the desk.
- If the bed doesn't stay down by itself, add more weight on the desk.

